

NDA S-SIGHT

Provision-ISR S-SIGHT series provides you with all you need for a simple installation. S-Sight cameras guarantee superior image quality, improved night performance and make an outstanding value-for-money solution.



DI-380IPSN-28-V3

20M IR 8MP FIXED LENS DOME/TURRET CAMERA WITH BUILT-IN CHECK POINT PROTECTION

Equipped with a 2.8mm fixed lens, this 8MP Dome/Turret camera is designed for short-distance surveillance (up to 20m) in indoor and outdoor scenarios. With its outstanding performance, reliability, and affordable price, the DI-380IPSN-28-V3 camera is the perfect solution for any basic installation.



MAIN FEATURES

- 8MP
- S-SIGHT
- 3840x2160 Resolution
- Wide field of view 108.9°
- 3D-DNR
- IP67
- Audio in

ANALYTICS

- General Analytics: Camera Tampering
- Standard Analytics: Line Crossing, Sterile Area



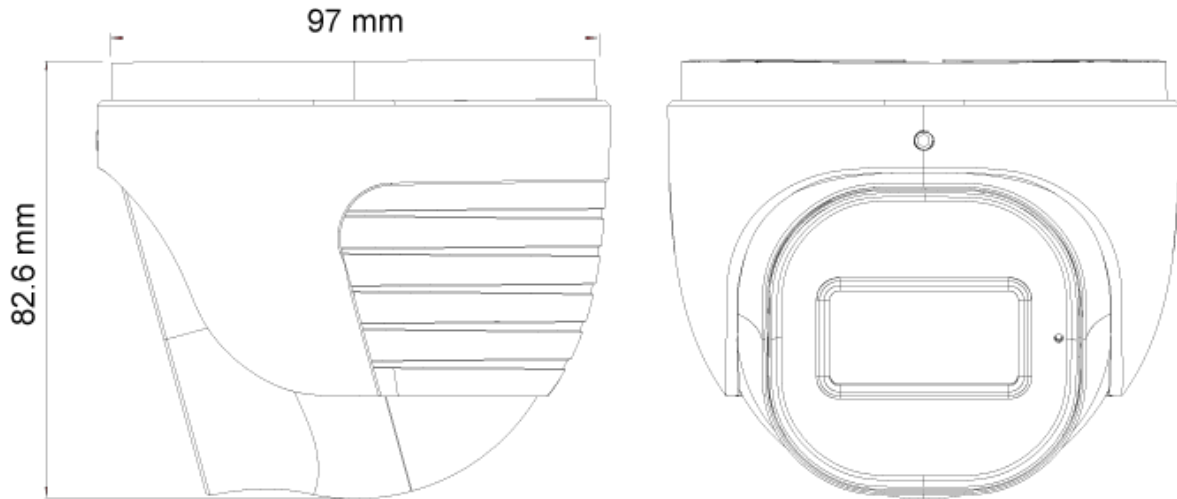
SPECIFICATIONS

Image Sensor	1/2.7" CMOS (16:9)
Effective Pixels	3840x2160
Electronic Shutter	1s ~ 1/100000s
Frame Rate	1-20FPS
Day & Night	ICR
Min. Illumination	0.09 lux (@F2.0, AGC on) 0 lux with IR on
Audio compression	G.711A/G.711U
Communication	One-way Audio
Image Settings	AWB, AGC Adjustable, Exposure Mode (Auto) Sharpness, Saturation, Brightness & Contrast Adjustable
Image Enhancement	True WDR, BLC, HLC, ROI
Noise Reduction	3D-DNR
Image Orientation	Mirror/Flip
Privacy Zone	Yes
Motion Detection	Yes
Analytics	General Analytics: Camera Tampering Standard Analytics: Line Crossing, Sterile Area
Video Compression	H.265 / H.264
Resolution	8MP / 6MP / 5MP / 4MP / 2MP / 1MP / D1 / QVGA / CIF
Multi-Stream	Master Stream: 8MP(3840x2160) / 6MP(3072x2048) / 5MP(2592x1944) / 4MP(2560x1440) / 2MP(1920x1080) Substream: 2MP/1MP/D1/CIF/QCIF Third Stream: 1MP/D1/CIF/QCIF (1~30fps)
Bit rate	64Kbps ~ 8Mbps@H.265 / 64Kbps ~ 8Mbps@H.264
Encode Mode	VBR/CBR
Image Quality	Five levels under VBR; Free adjustment under CBR
IR Distance	20m (1 High-Power IR LED)
Lens (Field of View)	2.8mm (108.9°)

SPECIFICATIONS

Iris	Fixed Iris (@F2.0)
Lens Mount	M12 mount
Protection Rate	Water Proof: IP67
Bracket	3-Axis Bracket
Dimensions	Ø97mm×82.6mm
Weight (gross)	~450g
Network	RJ45 (+PoE)
Power	DC Socket
Analog Video Output	No
Audio Connectivity	Built-in Microphone + Audio Input
SD Card	Event/Schedule based Main/Substream recording (Up to 128Gb)
Hard Reset Button	Yes
Alarm	No
Remote Monitoring	IE Browsing, VMS Software, Provision Cam2 Mobile App
User Access	Supports simultaneous monitoring of up to 10 users with multi-stream real-time transmission
Network Protocol	IPv4, IPv6, TCP, UDP, DHCP, NTP, DDNS, 802.1X, RTSP, Multicast, UPnP, Email, FTP, HTTPS, QoS
ONVIF	Yes
Ethernet	100Mbps
PoE	Yes
Power Supply	DC12V/~400mA / PoE/~5.2W
Work Environment	-30°C~60°C, 10%~90% Humidity
Junction Box	PR-JB12IP66 - PR-JB12IP64 - PR-WB-A

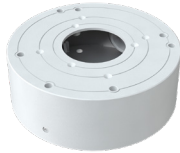
DIMENSIONS



ACCESSORIES



PR-JB14IP66



PR-JB14IP64



PR-WB-A